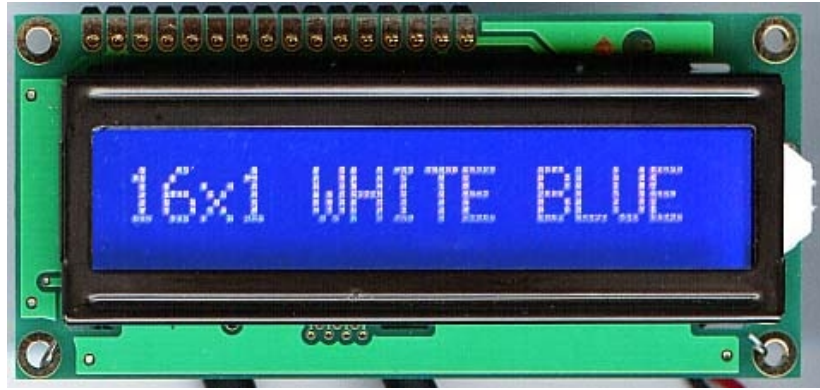
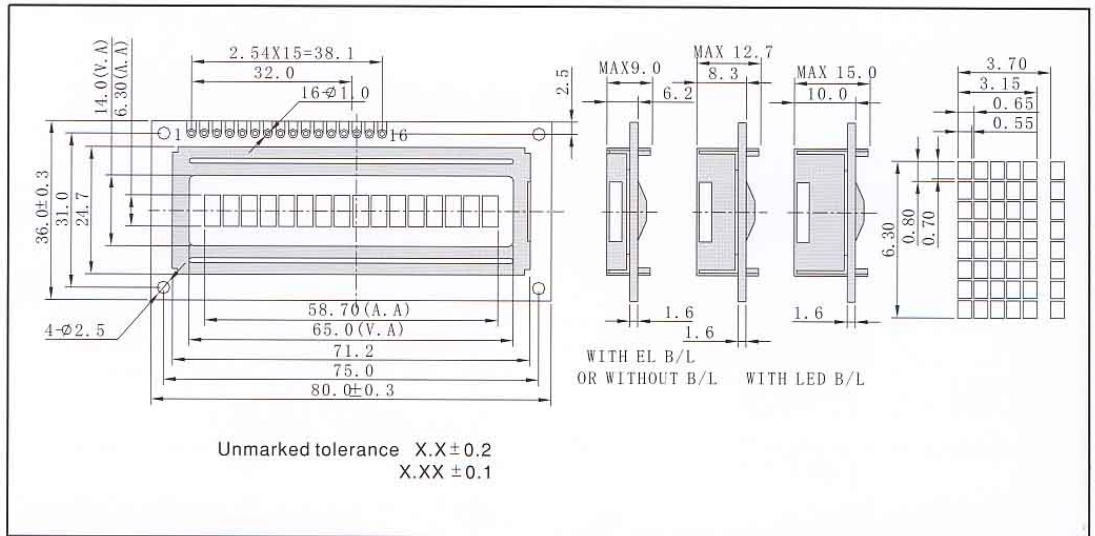


LCD1x16 01

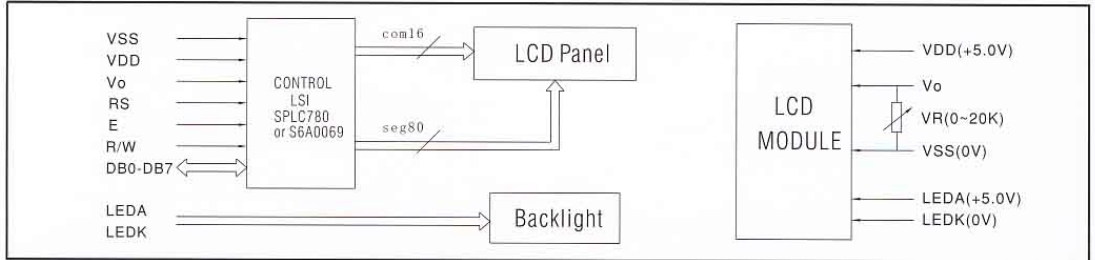


HY-1601C

OUTLINE DIMENSIONS



BLOCK DIAGRAM & POWER SUPPLY



MECHANICAL SPECIFICATIONS & FEATURE

| Item | Normal Dimensions(mm) | FEATURE | |
|----------------------|-------------------------|-----------------------|---|
| Module Size (W*H*T) | 80.0x36.0x9.0/12.7/15.0 | LCD Type | STN, TN, HTN, FSTN |
| View Area (W*H) | 65.0x14.0 | LCD Colour | STN:Yellow-Green, Gray Other:Gray |
| Character Pitch(W*H) | 3.70x6.30 | View Angle | 6 O'clock, 12 O'clock |
| Character Size(W*H) | 3.15x6.30 | Display Type | Positive Type, Negative Type |
| Character Font | 5x8 | Rear polarizer | Transmissive, Reflective, Transflective |
| Dot Pitch (W*H) | 0.65x0.80 | Operating Temperature | 0°C ~ 50°C, -20°C ~ 70°C |
| Dot Size (W*H) | 0.55x0.70 | Backlight | LED:Yellow EL:Green, Blue-Green, Blue Without |

ELECTRICAL CHARACTERISTICS

| Item | Symbol | Test Condition | Min. | Typ. | Max. | Unit |
|-----------------------------------|--------|-----------------------|------|------|------|------|
| Operating Voltage | Vdd | Ta = 25°C | --- | 5.0 | --- | V |
| Operating Voltage for LCD | Vlcd | Ta = 25°C | --- | 4.5 | --- | V |
| Supply Current | Idd | Ta = 25°C, Vdd = 5.0V | --- | 2.0 | 3.0 | mA |
| Supply Current for Backlight(LED) | If | Ta = 25°C, Vf = 4.2V | --- | 110 | --- | mA |

INTERFACE PIN CONNECTIONS

| Pin No | Symbol | Level | Description |
|--------|---------|-------|--|
| 1 | VSS | -- | Ground for Logic |
| 2 | VDD | -- | Power supply for Logic |
| 3 | Vo | -- | Power supply for LCD drive |
| 4 | RS | H/L | Register selection (H:Data register, L:Instruction register) |
| 5 | R/W | H/L | Read/write selection (H:Read, L:Write) |
| 6 | E | H/H—L | Enable signal for LCM |
| 7-14 | DB0-DB7 | H/L | Data Bus lines |
| 15 | LEDA | -- | Power supply for Backlight(+) |
| 16 | LEDK | -- | Power supply for Backlight(-) |